



Redesigned for reliable operations.

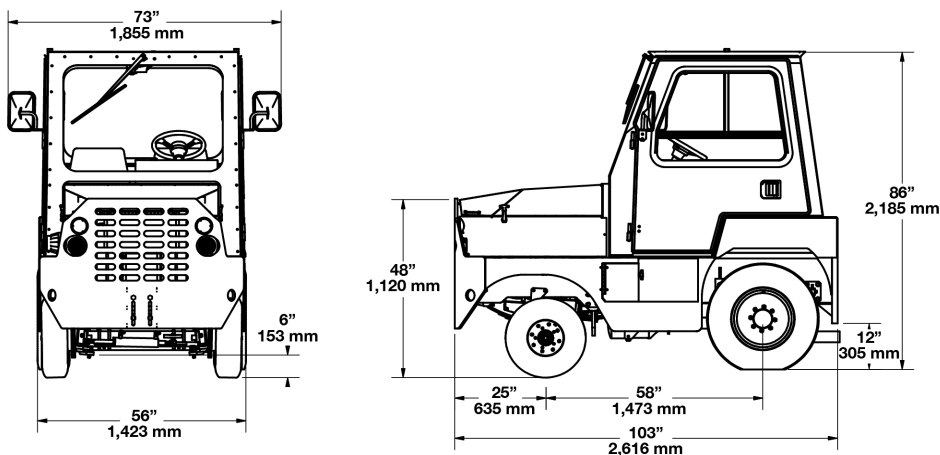
The M60A tractor has been redesigned as a rugged heavy duty workhorse for baggage handling, light cargo and utility towing. It features drawbar options from 3,000 to 6,000 pounds (1,360 – 2,720 kilograms). The M60A is feature rich including power steering, power assisted disc brakes, and a heavy duty fixture welded steel frame, standard.

The M60A can be powered with EPA approved diesel, gasoline or LP engine packages.

Customized configurations for every application are available.

Features:

- ✓ 3,000 – 6,000 pound (1,360 - 2,720 kilogram) drawbar rating
- ✓ EPA approved diesel, gasoline or LP fuel
- ✓ Factory new automatic transmission
- ✓ Front and rear spring suspension
- ✓ Heavy duty fixture welded steel frame
- ✓ LED lighting
- ✓ Safety
 - Back up alarm
 - Horn
 - Anti-restart ignition switch
 - Engine safety shutdown (low oil pressure, high temperature)



Photos and illustrations may show optional equipment.

M60A Tow Tractor

	IMPERIAL	METRIC		IMPERIAL	METRIC
Drawbar capacity options			Dimensions & data		
Model 60A-3K	3,000 lbs	1,360 kg	Length	103 in	262 cm
Model 60A-4K	4,000 lbs	1,820 kg	Width	56 in	142 cm
Model 60A-5K	5,000 lbs	2,270 kg	Height (without cab)	65 in	165 cm
Model 60A-6K	6,000 lbs	2,721 kg	Height (with cab)	86 in	218 cm
Gross vehicle weight			Turn radius (rear brakes)	115 in	292 cm
Model 60A-3K	4,600 lbs	2,090 kg	Turn radius (four wheel brakes)	135 in	343 cm
Model 60A-4K	5,600 lbs	2,540 kg	Ground clearance (less axles)	8 in	20 cm
Model 60A-5K	6,600 lbs	3,000 kg	Speed (forward)*	10 - 15 mph	16 km/h
Model 60A-6K	7,600 lbs	3,447 kg	Speed (reverse)	5 mph	11 km/h
			<i>*Consult factory for speeds</i>		

Drive System

Engine options

Diesel

- Cummins QSF2.8L (Tier 4 Final)
- Cummins B3.3 (Tier 4i, export only)
- Deutz 2011 (Tier 4i, export only)

Gasoline

- Kubota WG2503
- Ford MSG425

LP

- Kubota WG2503

Cooling system

Full size liquid cooled radiator, isolated from vibration

Transmission

Factory new GM 4L70E automatic transmission with separate transmission fluid cooler, with shift abuse protection

Axles

Front: Brierton heavy duty tubular

Rear: Newage double reduction axle with box spur gear set

Tires

Front: 6.9 x 9.0

Rear: LT 215/85R16

Optional: Four wheel discs for 135 in (343 cm) turn radius

Systems

Chassis

Heavy duty fixture welded steel frame

Steering

Power assisted

Braking

Standard: Dual rear caliper disc for 115 inch (292 cm) turning radius

Optional: Four wheel disc for 135 inch (343 cm) turning radius

Parking: Disc

Suspension

Front: Leaf spring

Rear: Leaf spring

Instrumentation

LED digital display with diagnostics (CAN J1939)

Coolant temperature

Engine speed*

Oil pressure

Battery voltage

Fuel level

Engine hours

Engine alarm/ fault lamps

Transmission temperature warning

**Engine dependent*

Lighting (LED)

Headlights, low beam when ignition is on

Taillights

Brake

Reverse

Work light

Electrical

12V

Maintenance free battery

60 amp minimum alternator (engine dependent)

Configurations

Standard

Adjustable operators seat with retractable seat belt

Front and rear hitches

Engine safety shutdown (low oil pressure, high temperature)

16 gallon (60.5 liter) fuel tank

Back up alarm

Anti-restart ignition switch

Zinc rich primer and white or safety yellow polyurethane top coat

Optional

Overhead guard

Cab:

All weather with heat and defrost

Air conditioning

Econo

With or without heat and defrost

Canvas doors

Hitch view and/or back up camera with LCD dash monitor

Mirror kit(s):

Left and right side mirrors

Hitch mirror(s)

Semi-suspension operators seat

Operator seat safety presence switch

Passenger seat with retractable seat belt

LED amber beacon light

LED turn signals

Low gear lock in switch

Speedometer

Master disconnect switch

License plate bracket

Fire extinguisher(s)

Spare tire assemblies

Heavy duty winterization package to -40F

Custom paint color

Consult factory for additional specialized configurations

Note: Dimensions may change slightly with individual engine packages. Specifications subject to change without notice.