

Made to Move!

WOLLARD
INTERNATIONAL

M60A Tow Tractor



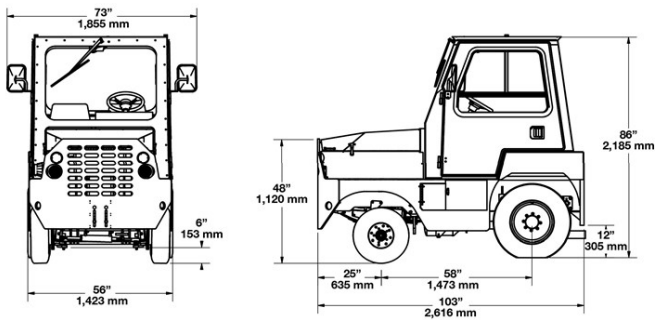
3,000-6,000 lbs. (1,360-2,720 kg)
drawbar pull with EPA approved
Gasoline, LP or Diesel Options.

Redesigned for reliable operations.

The MA60A tractor has been redesigned as a rugged heavy-duty workhorse for baggage handling, light cargo, and utility towing. It features drawbar options from 3,000 to 6,000 lbs. (1,360 to 2,720 kg). The M60A is feature rich including power steering, power assisted disc brakes, and a heavy-duty fixture welded steel frame, standard.

The M60A can be powered with EPA approved diesel, gasoline, or LP engine packages.

Customized configurations for every application are available.



Photos and illustrations may show optional equipment

Features:

- ⇒ 3,000 - 6,000 lbs. (1,360 - 2,720 kg) drawbar pull rating.
- ⇒ EPA approved diesel, gasoline, or LP fuel
- ⇒ Factory new automatic transmission
- ⇒ Front and rear spring suspension standard
- ⇒ Heavy-duty fixture welded steel frame
- ⇒ LED lighting
- ⇒ Safety
 - Back up alarm
 - Horn
 - Anti-restart ignition switch
 - Engine safety shutdown (low oil pressure, high temperature)

Proven durability. Trusted performance.



Go to wollardintl.com for more.



M60A Tow Tractor

	IMPERIAL	METRIC		IMPERIAL	METRIC
Drawbar capacity options			Dimensions & Shipping Weight		
Model 60A-3K	3,000 lbs.	1,360 kg	Length (excluding hitch)	103 in	262 cm
Model 60A-4K	4,000 lbs.	1,820 kg	Width	56 in	142 cm
Model 60A-5K	5,000 lbs.	2,270 kg	Height (without cab)	65 in	165 cm
Model 60A-6K	6,000 lbs.	2,721 kg	Height (with cab)	86 in	218 cm
			Turn Radius (rear brakes)	115 in	292 cm
Gross vehicle weight			Turn Radius (four wheel brakes)	135 in	343 cm
Model 60A-3K	4,600 lbs.	2,090 kg	Ground clearance	8 in	20 cm
Model 60A-4K	5,600 lbs.	2,540 kg	Speed (forward)*	10-15 mph	16 km/h
Model 60A-5K	6,600 lbs.	3,000 kg	Speed (reverse)	5 mph	11 km/h
Model 60A-6K	7,600 lbs.	3,447 kg			

*Consult factory for speeds

Drive System

Engine options

Diesel

- Cummins QSF2.8L (Tier 4 Final)
- Cummins B3.3 (Tier 4i, Export only)

Gasoline

- Kubota WG2503

LP

- Kubota WG2503

Cooling system

- Full size liquid cooled radiator, isolated from vibrations

Transmission

- Factory new GM 4L70E automatic transmission with separate transmission fluid cooler, with shift abuse protection

Axles

- Front: Brierton heavy-duty tubular
- Rear: Newage double reduction axle with box spur gear set

Tires

- Front: 6.9 X 9.0
- Rear: LT 215/85R16

Systems

Chassis

- Heavy-duty fixture welded steel frame

Steering

- Power assisted

Braking

- Standard: Dual rear caliper disc for 115 inch (292 cm) turning radius
- Optional: Four wheel disc for 135 inch (343 cm) turning radius
- Parking: Disc

Systems (cont.)

Suspension

- Front: Leaf Spring
- Rear: Leaf Spring

Instrumentation

- LED digital display with diagnostics (J1939 CAN)
- Coolant temperature
- Engine speed*
- Oil pressure
- Battery voltage
- Fuel level
- Engine hours
- Engine alarm / fault lamps
- *Engine dependent

Lighting (LED)

- Headlights, low beam when ignition is on
- Taillights
- Brake
- Reverse
- Work light

Electrical

- 12V System
- Maintenance free battery
- 60A minimum alternator (engine dependent)

Configurations

Standard

- Adjustable operator's seat with retractable seat belt
- Back up alarm
- Zinc rich primer and white polyurethane top coat
- Engine safety shutdown (low oil pressure, high temperature)
- Low gear lock in swi

Configurations (cont.)

Standard

- 16 gallon (60.5 Liter) fuel tank
- Back up alarm
- Anti-restart ignition switch

Optional

- LED amber safety beacon
- Overhead guard
- Enclosed operator's cab with heat and defrost
- Air conditioning
- Steel doors

Econo

- With or without heat and defrost
- Canvas doors
- Hitch view and or back up camera with LCD dash monitor

Mirror kit(s):

- Left and right side mirrors
- Hitch Mirrors
- Semi-suspension operator's seat
- Passenger's seat with retractable seat belt
- LED turn signals

tch

- Speedometer
- Master disconnect switch
- Transmission temperature warning
- License plate bracket
- Front and rear hitches
- E-hitch
- Fire extinguisher(s)
- Spare tire assemblies
- Heavy-duty winterization package to -40°F
- Preventive maintenance service kits
- Custom paint color
- Consult factory for additional specialized configurations

Note: Dimensions may change slightly with individual engine packages. Specifications subject to change without notice.